



TS-C 10-300/T-EN54

- aluminium housing
- weather proof
- BS 5839



EN 54-24:2008
Ref. Nr.: 006-13
ID-Code: SAA-LS06
1438/CPD/0315

ic audio GmbH, Boehringerstraße 14a,
D-68307 Mannheim, Germany

CE-Symbol gemäß Richtlinie 93/68EWG

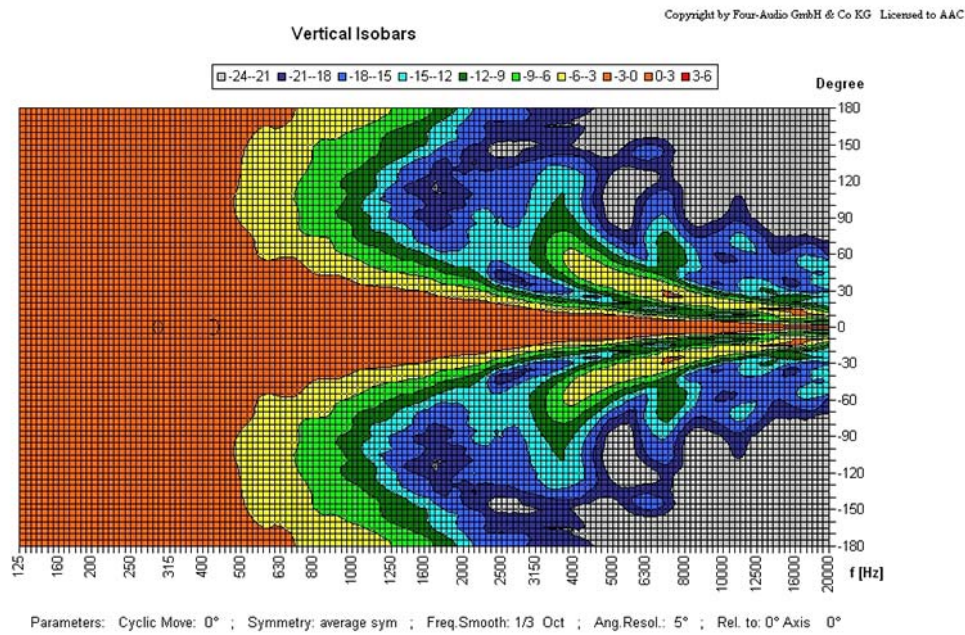
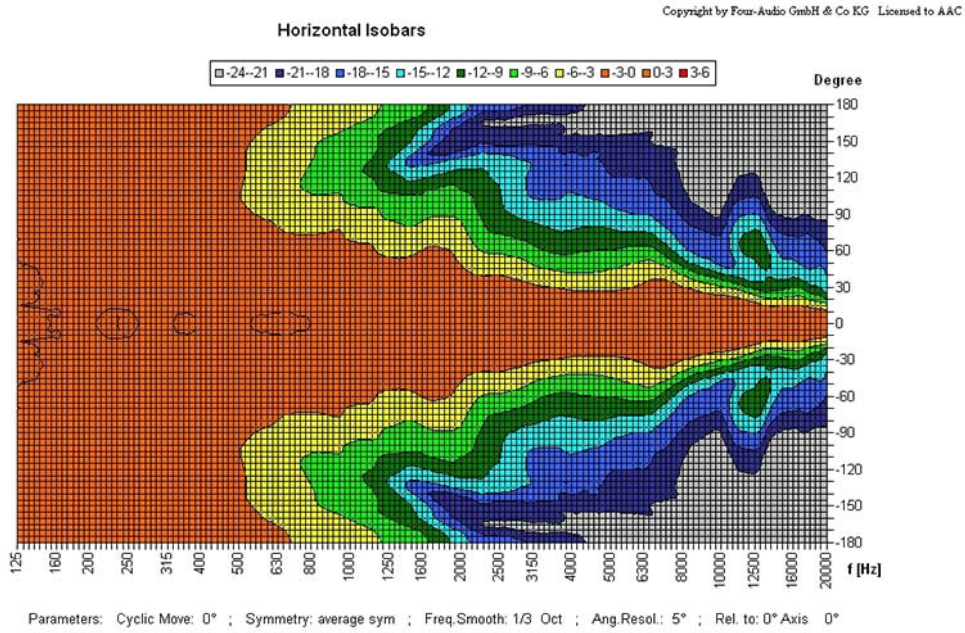
The 10W powered speaker is equipped with two 77mm full-range loudspeaker chassis and a 100V transformer with 4 power adjustments. The powder coated and shock-resistant aluminium housing in RAL 9006 guarantees long-term stability. For additional reliability, a 2 pin-ceramic block, a thermal fuse is provided and the speaker chassis is impregnated against wetness. Furthermore sturdy cable glands 2 x PG9 are also provided.

The speaker is also secured with the high protection class IP 66 against the security risks of environmental influences.

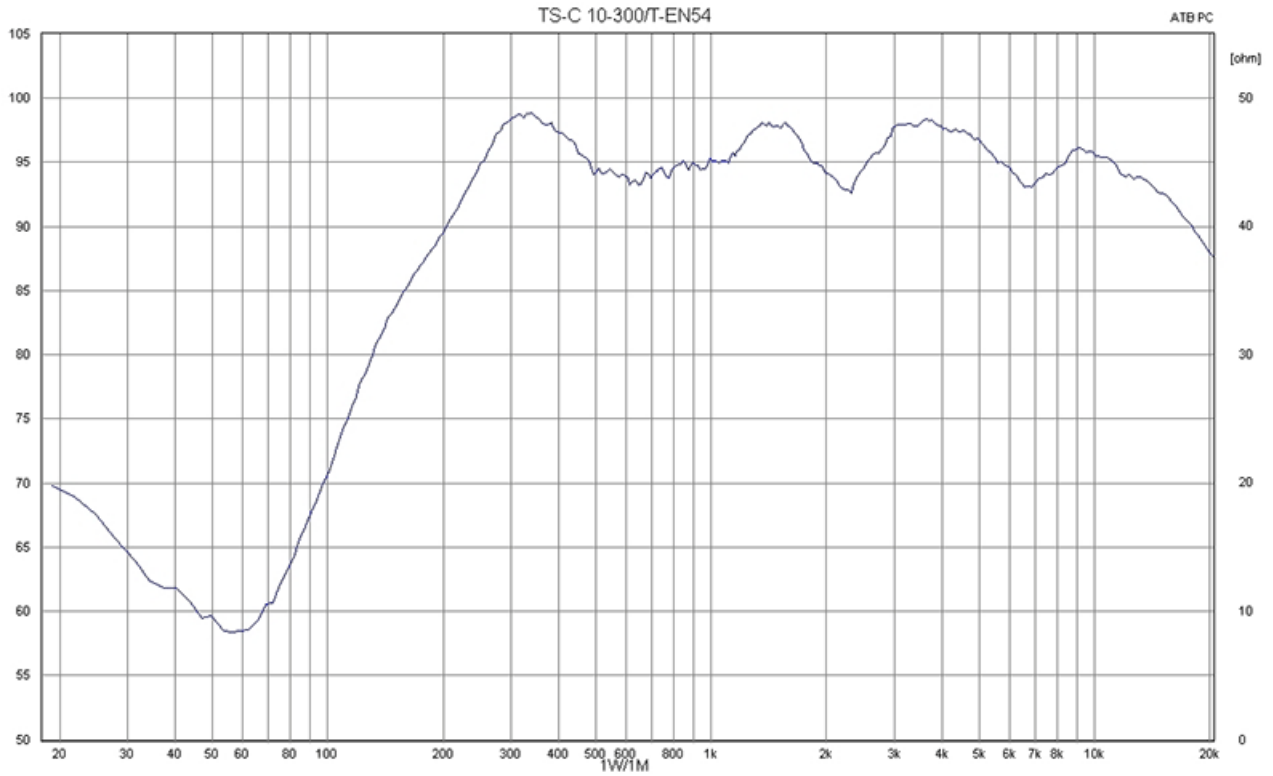
The speaker is compliant with the British Standard BS 5839, Part 8.

The easy mounting with the included swivel bracket provides much flexibility for the installation. Special paint of the speaker in 4-digit RAL- or NCS-colour available at extra cost.

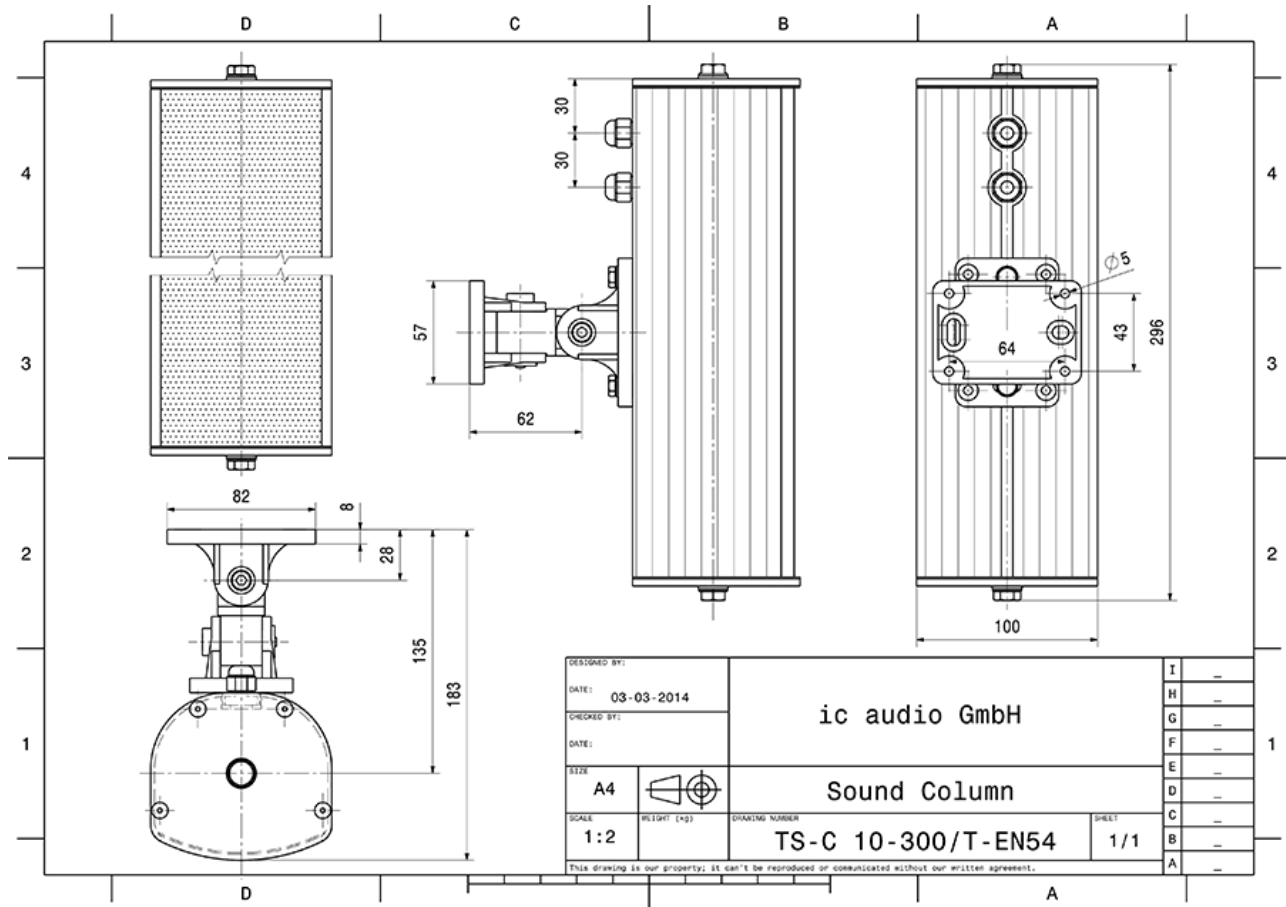
Polar Diagrams



Frequency Response Diagrams



Technical Diagrams



Technical Data (Electrical)

Description	TS-C 10-300/T-EN54
Power	10/6/3/1,5 W
Impedance (100V)	1000/1667/3333/6667 ohm
Frequency Range	210 - 17.700 Hz
Frequency Response	140 - 23.500 Hz
SPL 1W/1m, peak	97,6 dB
SPL , 1W/4m, peak	85,6 dB
SPL Pmax/4m, peak	95,6 dB
Sensitivity EN54-24, 1W/4m	77,2 dB
Sensitivity IEC 268-5, 1W/1m	89,2 dB
Dispersion -6dB, 500Hz	h/v = 360°
Dispersion -6dB, 1KHz	h = 187°, v = 108°
Dispersion -6dB, 2KHz	h = 149°, v = 66°
Dispersion -6dB, 4KHz	h = 91°, v = 32°

Technical Data (Mechanical)

Dimensions	296x100x92 mm
IP Rating	IP66
Weight (net)	1,70 kg
Temperature range	-20 / +90 °C
Mounting	Swivel bracket
Connector	2-pin ceramic block
Maximum cable cross section	8mm ²
Max. cable cross section loop	2x2mm ²
Colour	RAL 9006

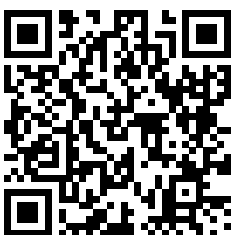
Product Attributes



ic audio loudspeakers are tested and classified according to the IEC standard 60529 (degree of protection by enclosure) against the penetration of foreign objects and moisture. The classification is conforming to standards through characterization with a fixed code. This code consists of the letters IP (International Protection) followed by two digits. The first digit indicates the degree of protection against dust and the second digit the degree of protection against water. Please note that the testing of the products has been carried out in laboratory conditions which are not always 100% comparable with the conditions of different installation environments. This protection can be reduced due to normal wear and tear depending on the installation environment. Therefore our warranty does not cover any damage caused by liquids.

Measurements according to DIN IEC 268-5 | RoHS compliant (2011/65/EU)

The IP rating specified is based on ic audio test results, not on CNBOP-PIB test results. Certification only verifies the minimum requirements for EN54-24 compliance.



Article Nr.: 20122601

Packing Unit: 1

